

# iii-PRO

## Operating Instructions

Included Installation Instructions

### Dome Cover

Model No. **WV-CW7S / WV-CW7SN**

ClearSight coating  
(Rain wash coating)

ENGLISH

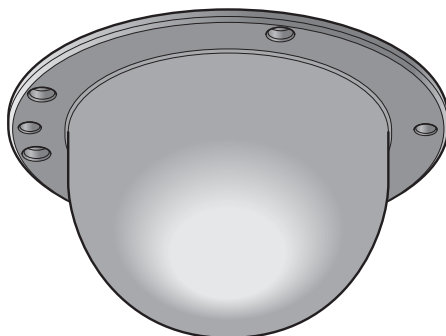
DEUTSCH

FRANÇAIS

ESPAÑOL

ITALIANO

РУССКИЙ



Before attempting to connect or install this product,  
please read these instructions carefully and save this manual for future use.

The model number is abbreviated in some descriptions in this manual.

## Features

This product is the smoked dome cover.  
WV-CW7SN is applied with rain wash coating.

## Precautions

### Refer installation work to the dealer.

Installation work requires technique and experiences. Failure to observe this may cause fire, electric shock, injury, or damage to the product.  
Be sure to consult the dealer.

## Installations

The following are installation instructions using WV-S2531LN as a representative example. Refer to manuals of each model upon installation.

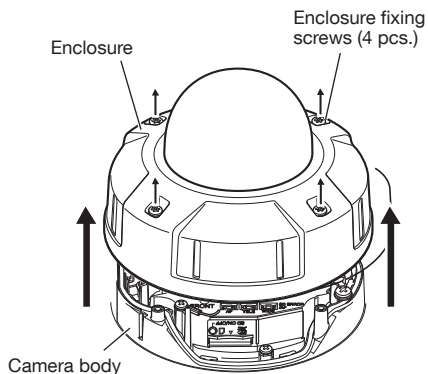
### Note:

- When the smoke type dome cover is used, the reach distance of IR will become shorter and the ambient illuminance for the day & night switchover will become lower compared to the standard clear type dome cover. Please reconfirm the performance after reinstalling the enclosure to the camera.

### Step 1

#### Remove the enclosure from the camera body

Loosen the 4 enclosure fixing screws using the bit provided with the camera, and then remove the enclosure from the camera body.



### Step 2

#### Remove the dome cover

Remove the 3 dome cover fixing screws (2 without washers, 1 with washer), and then remove the dome cover holding plate, the light-blocking sheet (WV-SFV631LT/ WV-SFV631L/ WV-SFV611L only), the dome cover and the waterproof rubber from the enclosure.  
(The Dome cover holding plate and the camera body are connected with the installation auxiliary wire. Please pay attention that the installation auxiliary wire will be removed at the moment when the dome cover fixing screws are removed.)

Keep the removed dome cover holding plate, the light-blocking sheet (WV-SFV631LT/ WV-SFV631L/ WV-SFV611L only), 3 fixing screws until using them in step 3.

**Step 3****Replace the dome cover**

- ① Attach the waterproof rubber provided with the new dome cover to the enclosure. Make sure that the waterproof rubber is attached without distortion or deformation. Do not use the waterproof rubber removed from the enclosure. Use the new waterproof rubber provided with the new dome cover.
- ② Remove the protection film covering outside the new dome cover.  
Keep the removed protection film until using it upon the installation.  
(Handle the new dome cover with care not to scratch inside and outside.)
- ③ Fit the new dome cover, the light-blocking sheet (WV-SFV631LT/ WV-SFV631L/ WV-SFV611L only) and the dome cover holding plate together while aligning the holes on them to the 2 protrusions inside the enclosure, and then fix them using the 2 dome cover fixing screws (without washers).  
(Recommended tightening torque:  
0.78 N·m {0.58 lbf·ft})
- ④ Attach the protection film removed in step 3 - ② back to the outside the dome cover.
- ⑤ When fixing the third dome cover fixing screw (with washer), fix the installation auxiliary wire together.  
When fixing with the screw, make sure that the flat face of the fixing terminal is the surface side of the dome cover holding plate. Make also sure that the fixing terminal is not on the projection of the dome cover holding plate. (Refer to the diagram below.)  
(Recommended tightening torque:  
0.78 N·m {0.58 lbf·ft})

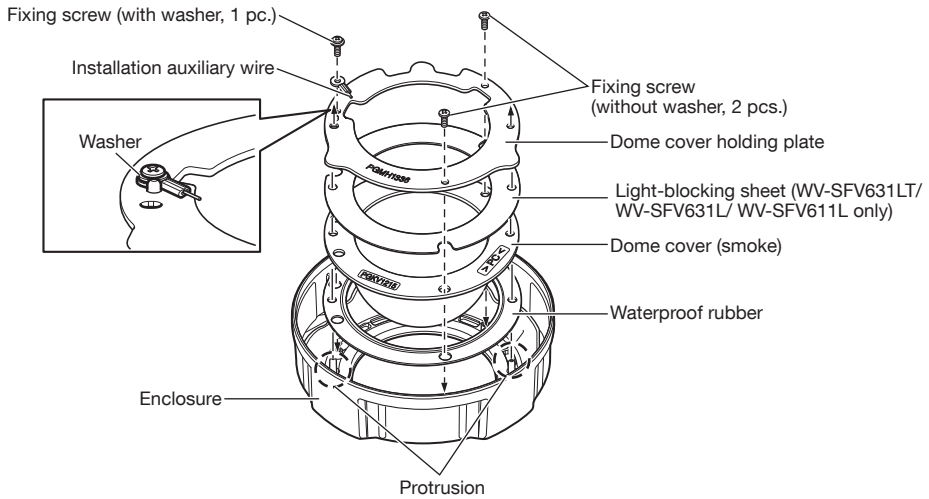
**Step 4****Fit the enclosure back to the camera body**

- Fix the enclosure onto the camera body using the 4 enclosure fixing screws.  
The recommended tightening torque for the enclosure fixing screws is 0.78 N·m {0.58 lbf·ft}.
- ⇒ Refer to the Installation Guide of the camera for the subsequent procedures including the installation of the camera body.

---

**IMPORTANT:**

- Defocus may be caused by the reinstalled enclosure. After installing the enclosure, activate the auto focus function from the setup menu.
  - Remove the protection film covering the outside of the dome cover after completing the installation.
  - Wipe out with a soft cloth when cleaning adhesion of dirt such as a fingerprint. (WV-CW7S only)
  - Refer to "Precautions"(leaflet) and clean the dome cover. (WV-CW7SN only)
-



## Specifications

Ambient operating temperature:	-45 °C to +60 °C {-49 °F to 140 °F}
Mass:	Approx. 74 g {0.16 lbs}
Dimensions:	Diameter: 115 mm {4-17/32 inches}
	Height: 60 mm {2-3/8 inches}
	Dome radius 42 mm {1-21/32 inches}

## Standard Accessories

Operating Instructions (this document).....	1 set
Precautions (leaflet).....	1 pc
Waterproof rubber (for replacement) .....	1 pc.