

# iii-PRO

## Operating Instructions

Included Installation Instructions

### Dome Cover

Model No. **WV-CW7CN**

**ClearSight coating**  
(Rain wash coating)

ENGLISH

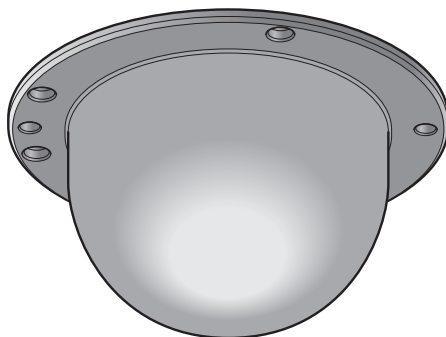
FRANÇAIS

DEUTSCH

ESPAÑOL

ITALIANO

РУССКИЙ



Before attempting to install this product,  
please read these instructions carefully and save this manual for future use.

The model number is abbreviated in some descriptions in this manual.

## Features

This product is the clear type dome cover.

WV-CW7CN is applied with ClearSight coating (rain wash coating).

## Precautions

### Refer installation work to the dealer.

Installation work requires technique and experiences. Failure to observe this may cause fire, electric shock, injury, or damage to the product.

Be sure to consult the dealer.

### The screws and bolts must be tightened to the specified torque.

Failure to observe this may cause a drop resulting in injury or accidents.

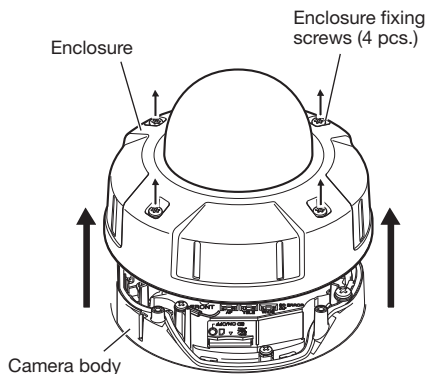
## Installations

Refer to the operating instructions of the camera in use.

### Step 1

#### Remove the enclosure from the camera body

Loosen the 4 enclosure fixing screws using the bit provided with the camera, and then remove the enclosure from the camera body.



### Step 2

#### Remove the dome cover

Remove the 3 dome cover fixing screws (2 without washers, 1 with washer), and then remove the dome cover holding plate, the dome cover and the waterproof rubber from the enclosure.

(The Dome cover holding plate and the camera body are connected with the installation auxiliary wire. Please pay attention that the installation auxiliary wire will be removed at the moment when the dome cover fixing screws are removed.)

Keep the removed dome cover holding plate, 3 dome cover fixing screws until using them in step 3.

**Step 3****Replace the dome cover**

- ① Attach the waterproof rubber provided with the new dome cover to the enclosure. Make sure that the waterproof rubber is attached without distortion or deformation. Do not use the waterproof rubber removed from the enclosure. Use the new waterproof rubber provided with the new dome cover.
- ② Remove the protection film covering outside the new dome cover.  
Keep the removed protection film until using it upon the installation.  
(Handle the new dome cover with care not to scratch inside and outside.)
- ③ Fit the new dome cover and the dome cover holding plate together while aligning the holes on them to the 2 protrusions inside the enclosure, and then fix them using the 2 dome cover fixing screws (without washers).  
(Recommended tightening torque: 0.78 N·m {0.58 lbf·ft})
- ④ Attach the protection film removed in step 3 - ② back to the outside the dome cover.
- ⑤ When fixing the third dome cover fixing screw (with washer), fix the installation auxiliary wire together.  
When fixing with the screw, make sure that the flat face of the fixing terminal is the surface side of the dome cover holding plate. Make also sure that the fixing terminal is not on the projection of the dome cover holding plate. (Refer to the diagram on the next page.)  
(Recommended tightening torque: 0.78 N·m {0.58 lbf·ft})

**Step 4****Fit the enclosure back to the camera body**

Fix the enclosure onto the camera body using the 4 enclosure fixing screws.

The recommended tightening torque for the enclosure fixing screws is 0.78 N·m {0.58 lbf·ft}.

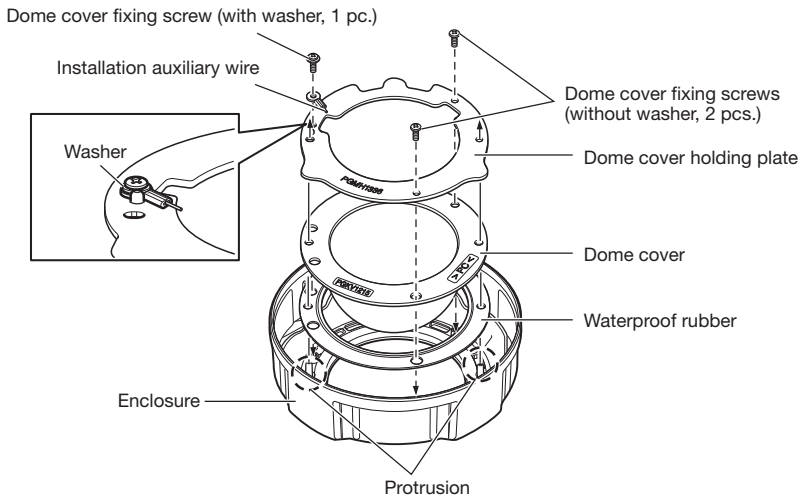
⇒ Refer to the Installation Guide of the camera for the subsequent procedures including the installation of the camera body.

---

**IMPORTANT:**

- Defocus may be caused by the reinstalled enclosure. After installing the enclosure, activate the auto focus function from the setup menu.
  - Remove the protection film covering the outside of the dome cover after completing the installation.
  - Refer to "Precautions" (next page) and clean the dome cover.
- 

Attach the "ClearSight coating label" with WV-CW7CN to the surface of the enclosure.



## Specifications

Ambient operating temperature:

-45 °C to +60 °C {-49 °F to 140 °F}

Mass:

Approx. 74 g {0.16 lbs}

Dimensions:

Diameter: 115 mm {4-17/32 inches}

Height: 60 mm {2-3/8 inches}

Dome radius 42 mm {1-21/32 inches}

## Standard Accessories

Operating Instructions (this document).....1 set

Waterproof rubber (for replacement) .....1 pc.

ClearSight coating label .....1 pc.



## Precautions

- Due to effectiveness of the rain wash coating, drops are likely to be accumulated right under the camera and it may cause a partial distortion of the video.
- When cleaning the dome cover, hose or spray fresh water that is not containing lubricant agent or silicon substances and wash away adherents such as grain of sand. If dirt is hard to remove, use a sponge soaked into the fresh water mentioned above and wipe off.
- Do not wipe the cover with a dry cloth. (Using dry cloth may spread oil constituent adhered to the surface, and it may result in damaging the rain wash coating.)
- If dirt cannot be wiped off with a damp cloth, use a neutral detergent and sufficiently rinse off the detergent.
- Do not use organic solvent such as benzine and thinner.
- Before using a spray, abandon a few sprays to eliminate impurities.
- The mark of light-shielding parts left inside the dome or dirt on the dome cover may influence the reflection of infrared rays.  
Therefore, remove those marks and dirt using cleaning paper.

\* Improper cleaning of the dome cover may cause the rain wash coating to become less effective. In this case, in order to have effective rain wash coating, a new dome cover must be purchased to replace the existing dome cover. Consult with your dealer or construction contractor.