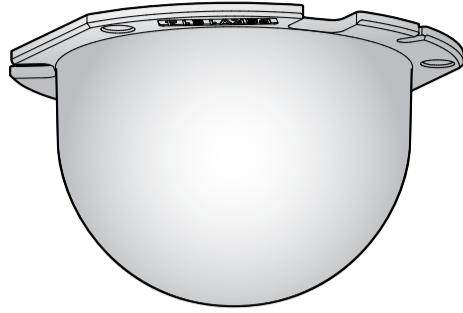


Operating Instructions

Included Installation Instructions

Dome Cover

Model No. WV-CR1S



- Before attempting to connect or install this product, please read these instructions carefully and save this manual for future use.
- The external appearance and other parts shown in this manual may differ from the actual product within the scope that will not interfere with normal use due to improvement of the product.

For U.S. and Canada:

i-PRO Americas Inc.

For Europe and other countries:

i-PRO EMEA B.V.

<https://www.i-pro.com/>

© i-PRO Co., Ltd. 2022



Ns0520-1042
Printed in China

Preface

This smoke type dome cover is used to install the indoor use dome-type monitoring camera. For the latest information about the supported cameras, refer to our support website (https://i-pro.com/global/en/surveillance/training_support/support/technical_information <Control No.: C0501>).

Specifications

Ambient operating temperature:	-10 °C to +50 °C {14 °F to 122 °F}
Mass:	Approx. 61.0 g {0.13 lbs}
Dimensions:	Diameter : 108 mm {4-1/4 inches}
	Height : 59.5 mm {2-11/32 inches}
	Diameter of the dome : 41.5 mm {1-5/8 inches}

Precautions

■ Refer installation work to the dealer.

Installation work requires technique and experience. Failure to observe this may cause fire, electric shock, injury, or damage to the product. Be sure to consult the dealer.

Standard Accessories

Operating instructions (this document).....1 pc.

Installation

Read the following descriptions together with the Installation Guide of the camera.

Note:

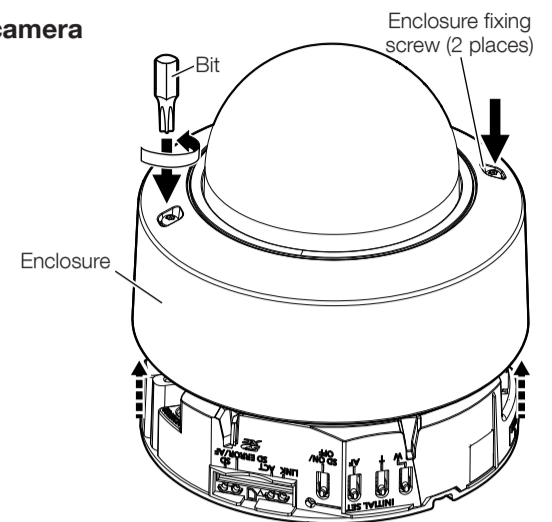
- When a smoke type dome cover is used, the IR LED irradiation distance and the illuminance level are lower than for a standard clear type dome cover. Check the settings after attaching the enclosure.

Step1 Remove the enclosure from camera

Use the bit included with the camera to loosen the 2 screws that secure the enclosure, and then remove the enclosure from the camera body.

Note:

- The enclosure is still connected to the camera with the auxiliary wire at this stage.

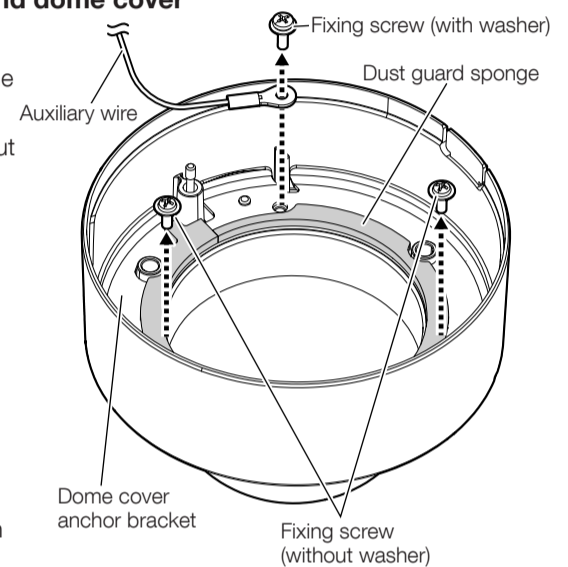


Step2 Remove the auxiliary wire and dome cover

- 1 Remove the fixing screw* (1 pc., with washer) that secures the auxiliary wire to the enclosure.
- 2 Remove the 2 fixing screws* (2 pcs., without washers) that secure the dome cover anchor bracket to the enclosure.
- 3 Remove the dome cover anchor bracket and the dome cover. (Do not peel off the dust guard sponge.)

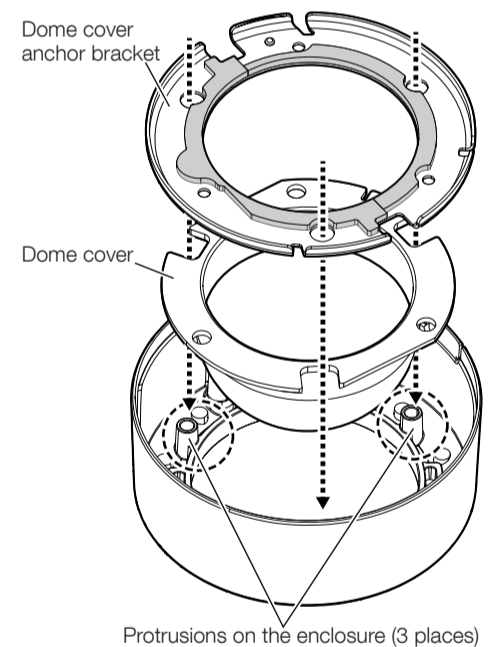
These 3 fixing screws, the dome cover anchor Bracket will be used again in **step3**.

- * Depending on the camera used, all 3 fixing screws may be of the same type (without washers). In this case, any of the screws can be used.



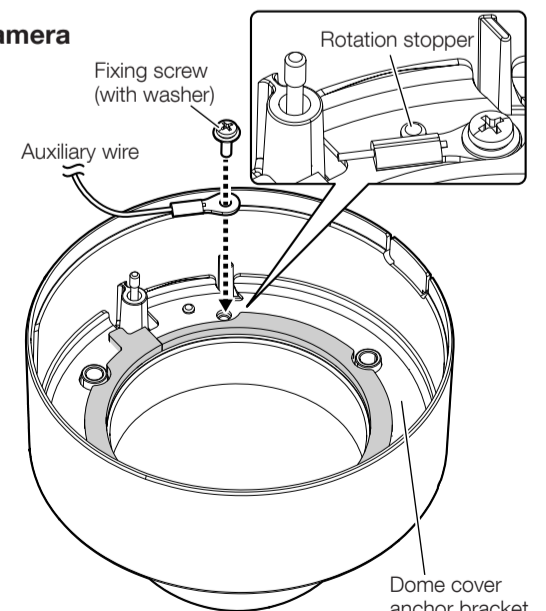
Step3 Replace the dome cover

- 1 Remove the cover film from the outside of the dome cover (WV-CR1S). Keep the removed cover film for following step. (Take care not to damage the outside or inside of the dome cover.)
- 2 Attach the dome cover (WV-CR1S) to the enclosure. When attaching, align the 3 holes of the dome cover anchor bracket and 3 notches of the dome cover with the 3 protrusions on the enclosure.
- 3 Using the 2 fixing screws (without washers) that were removed in **step2**, secure the dome cover anchor bracket to the enclosure. (Recommended tightening torque: 0.78 N·m {0.58 lbf·ft})
- 4 Attach the cover film removed in 1 to the outside surface of the dome cover.



Step4 Attach the enclosure to the camera

- 1 Use the last fixing screw (with washer) to secure the auxiliary wire from the camera body to the enclosure. (Recommended tightening torque: 0.78 N·m {0.58 lbf·ft}) Position and secure the flat side of the end of the auxiliary wire to the dome cover anchor bracket with the screw. (Make sure not to position the end of the auxiliary wire above the protrusion.)
- 2 Secure the enclosure to the camera with the 2 enclosure fixing screws. (The recommended tightening torque : 0.59 N·m {0.44 lbf·ft})
→ Refer to the Installation Guide for more information about installing the camera.



IMPORTANT:

- When the enclosure is attached, the camera's focus may go out of focus. Use the "Auto focus" function in the setup menu to adjust the focus.
- Remove the cover film after installation is complete.
- If there are fingerprints or dirt on the dome cover, wipe it clean with a soft cloth.