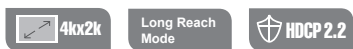


HDMI HDBaseT Extender (4K@100m) (HDBaseT Class A)

VE811

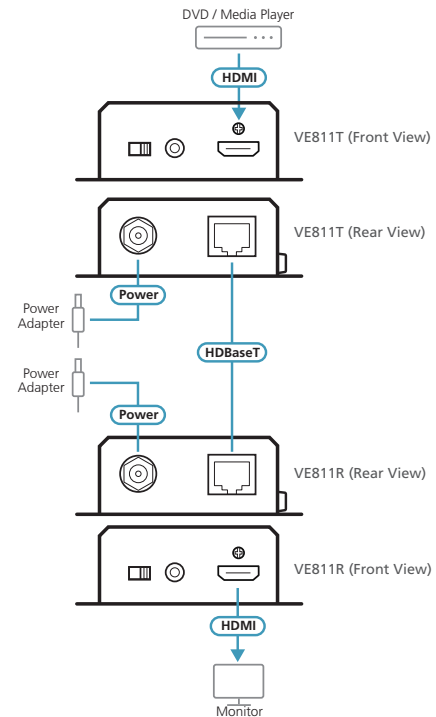
The ATEN VE811 HDMI HDBaseT Extender guarantees the optimum 4K HDMI signal transmission across up to 100 m via a single Cat 5e/6/6a or ATEN 2L-2910 Cat 6 cable. In addition, with the support for Long Reach Mode, it extends HDMI signals @ 1080p up to 150 m via a single Cat 5e/6 cable. The VE811 meets HDMI specification features including 3D, Deep Color, HD lossless audio formats and CEC pass-through. Plus, it supports Dolby Digital 5.1 and DTS HD audio.

Pushing the technology and design to the limit, the compact design makes the VE811 easy to mount in any location. Engineered for today's digital trends, the VE811 is ideal for meeting rooms, or any setting that requires high quality HDMI video to be extended for great distances.



Features

- HDBaseT connectivity – extends 4K HDMI signals up to 100m via a single Cat 5e/6/6a or ATEN 2L-2910 Cat 6 cable
- Supports HDBaseT Long Reach Mode – up to 150 m via a single Cat 5e/6 cable at resolutions up to 1080p
- HDMI (3D, Deep Color, 4K)
- HDCP 2.2 compatible
- Supports resolutions of up to 4K and 1080p
- Consumer Electronic Control (CEC) allows interconnected HDMI devices to communicate and respond to a single remote control
- Supports wide screen format
- Plug and play – no software required
- Built-in 8kV / 15kV ESD protection
- Rack mountable



Specifications

	VE811R	VE811T
Video Input		
Interfaces	N/A	1 x HDMI Type A Female (Black)
Impedance	N/A	100 Ω
Max. Distance	N/A	3 m
Video Output		
Interfaces	1 x HDMI Type A Female (Black)	N/A
Impedance	100 Ω	N/A
Max. Distance	3 m	N/A
Video		
Max. Data Rate	10.2Gbps (3.4Gbps per lane)	
Max. Pixel Clock	340 MHz	
Compliance	HDMI (3D, Deep Color, 4K); HDCP Compatible; Consumer Electronics Control (CEC)	
Max. Resolutions / Distance	Up to 4K @ 70m (Cat 5e/6) / 100m (Cat 6a/ATEN 2L-2910 Cat6); 1080p @ 100m (Cat 5e/6/6a) *4K supported: 4096 x 2160 / 3840 x 2160 @ 60Hz (4:2:0); 4096 x 2160 / 3840 x 2160 @ 30Hz (4:4:4)	
Audio		
Input	N/A	1 x HDMI Type A Female (Black)
Output	1 x HDMI Type A Female (Black)	N/A
Connectors		
Unit To Unit	1 x RJ-45 Female	
Firmware Upgrade	1 x Mini Stereo Jack Female (Black)	
Switches		
Long Reach Mode Switch	1 x Slide Switch - ON/OFF	
Power		
Connectors	1 x DC Jack (Black) with locking	
Consumption	DC 5V, 3.84W	DC 5V, 3.77W
Environmental		
Operating Temperature	0° to 40° C	
Storage Temperature	-20° to 60° C	
Humidity	0 - 80% RH, Non-Condensing	
Physical Properties		
Housing	Metal	Metal
Weight	0.17 kg	0.16 kg
Dimensions (L x W x H) with bracket	8.64 x 7.30 x 2.47 cm	8.64 x 7.30 x 2.47 cm
Dimensions (L x W x H) without bracket	8.20 x 5.20 x 2.37 cm	8.20 x 5.20 x 2.37 cm

ATEN International Co., Ltd.

3F., No.125, Sec. 2, Datung Rd., Sijhih District., New Taipei City 221, Taiwan
 Phone: 886-2-8692-6789 Fax: 886-2-8692-6767
 www.aten.com E-mail: marketing@aten.com

Product information is subject to change without prior notice.

Released: 08/2022 V2.0

© Copyright 2022 ATEN® International Co. Ltd.
 ATEN and the ATEN logo are registered trademarks of ATEN International Co., Ltd.
 All rights reserved. All other trademarks are the property of their respective owners.
 The terms HDMI, HDMI High-Definition Multimedia Interface, and the HDMI Logo are trademarks or registered trademarks of HDMI Licensing Administrator, Inc.

