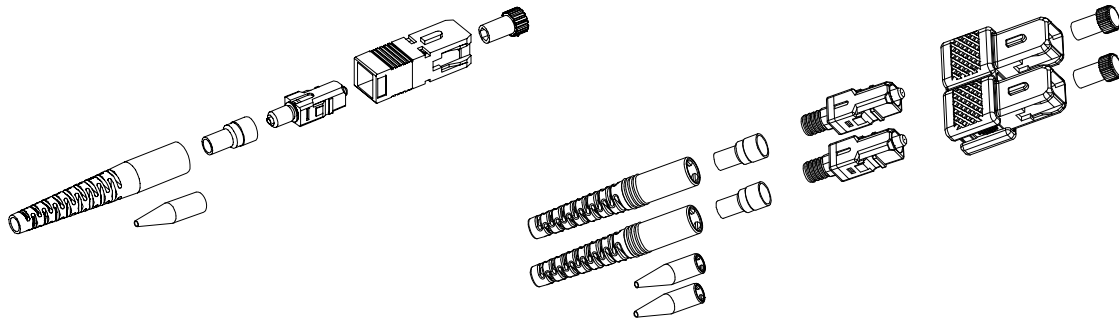


SC CONNECTOR



SC SIMPLEX

SC DUPLEX

DESCRIPTION

LINK fiber optic connector design for field pre-termination, polishing and crimping on epoxy glue. LINK fiber optic SC connector are available in multimode (OM1, OM2, OM3) and singlemode and simplex and duplex. The connectors are low insertion loss and high return loss. Good in repeatability and exchangeability.

FEATURES AND BENEFITS

- High grade zirconia ceramic ferrules insure fiber alignment and repeatable performance.
- Easy and quick to terminate.
- Field proven crimp technology improves connector/cable tensile performance.
- Provide standard boot 900µm, 3.0mm or 2.0mm cable diameter are available.
- Meets standard ANSI/EIA/TIA-568-C.3 and ISO/IEC 11801:2002 performance requirements.
- Complies with IEC 61754-4, TIA 604-3 and EIA 455
- RoHS Compliant 2002/95/EC.

APPLICATIONS

- Premises installation.
- Data center
- Telecommunication network
- Ethernet, LAN
- Direct equipment termination
- Fiber Optic Distribution Panel

SPECIFICATION

	MULTIMODE	SINGLEMODE
Material		
Plug Body	PBT, Thermoplastic, UL 94V-0 Ivory Color	PBT, Thermoplastic, UL 94V-0 Blue Color
Housing	PBT, Thermoplastic, UL 94V-0 Ivory Color	PBT, Thermoplastic, UL 94V-0 Blue Color
Ferrule	Zirconia ceramic, Pre-Radiused	Zirconia ceramic, Pre-Radiused
Crimp Sleeve	Aluminum	Aluminum
Boot	Thermoplastic, UL 94V-0 Black Color	Thermoplastic, UL 94V-0 Blue Color
Dust Cap	PE Clear Color	PE Clear Color

PERFORMANCE

	MULTIMODE	SINGLEMODE
Insertion Loss		
Typical	≤ 0.15 dB	≤ 0.15 dB
Maximum	≤ 0.30 dB	≤ 0.30 dB
Return Loss	≥ 20 dB	≥ 55 dB
Durability	500 cycles	500 cycles
Cable retention	177 N	177 N
Operating Temperature	-40°C to 85°C	-40°C to 85°C
Storage Temperature	-40°C to 85°C	-40°C to 85°C

Mechanical Properties

Operating Temperature (IEC61300-2-22)
 High Temperature (IEC61300-2-18)
 Damp Heat (IEC61300-2-19)
 Vibration (IEC61300-2-1)
 Mating Durability (IEC61300-2-2)
 Cable Retention (IEC61300-2-4)

ORDER INFORMATION

Part Number	Description	Included Boot	Color
UF-0005	SC CONNECTOR, SIMPLEX, MULTIMODE	900µm, 3.0mm	Ivory
UF-0005SM	SC CONNECTOR, SIMPLEX, SINGLEMODE	900µm, 3.0mm	Blue
UF-0005SM/APC	SC/APC CONNECTOR, SIMPLEX, SINGLEMODE	900µm, 3.0mm	Green
UF-0006	SC CONNECTOR, DUPLEX, MULTIMODE	900µm, 3.0mm	Ivory
UF-0006SM	SC CONNECTOR, DUPLEX, SINGLEMODE	900µm, 3.0mm	Blue
UF-0006SM/APC	SC/APC CONNECTOR, DUPLEX, SINGLEMODE	900µm, 3.0mm	Green