

## Intelligent PDU

PG5308A / PG5308B / PG5308G  
PG6308A / PG6308B / PG6308G  
PG8308A / PG8308B / PG8308G  
PG8208G



ATEN's PG series intelligent PDU lineup includes PG53 metered series, PG63 switched series, and PG83 / PG82 outlet-metered & switched series. Each PG series intelligent PDU features 8 outlets\* housed in a compact 1U rack enclosure.

With an ARM Cortex-A8 processor, these PDUs provide advanced control options through USB, COM, environmental sensors, and dual Gigabit LAN ports.

Designed for rapid deployment, PG series PDUs can power all connected equipment within just 10 seconds of being plugged in. For enhanced cost efficiency and space optimization, these intelligent PDUs can be cascaded, allowing interconnection of up to 64 units.

The PG series PDUs are equipped with RJ-45 sensor ports to connect with EA1640 that monitor the health of the data center environment, ensuring optimal operating conditions. They offer secure, centralized, and intelligent power management capabilities, allowing users to power on, off, or cycle data center IT equipment such as servers, storage systems, KVM switches, network devices, and serial data devices.

With the integration of remote power control and real-time power measurement, users can manage and monitor the power status of devices connected to the PG series PDUs from virtually anywhere with an IP connection. This functionality is accessible at the PDU device, bank, or outlet level, depending on the specific model.

These intelligent PDUs are capable of handling high voltage ranges of 100V to 240V. Additionally, they provide precise kWh energy usage data with an accuracy of  $\pm 1\%$ . This level of precision enhances the monitoring of power consumption, aids in the establishment of baseline energy usage, and supports the tracking of energy efficiency initiatives.

In terms of hardware design, the PG series PDUs incorporate built-in energy-saving relays — subtypes of electromagnetic switches — to manage large current flows more efficiently, resulting in lower energy consumption compared to non-relay models. The PG series models (except for the PG8208G) are equipped with circuit breakers that support 30A or 32A currents, automatically disconnect the power supply to prevent overloads, and protect connected devices from damage.

The firmware of the PG series is upgradeable via web GUI or USB, allowing users to conveniently download updates from ATEN's website, ensuring access to the latest functionalities and improvements for practical use.

Green LCD console panel sticker is included for users, with additional options in blue, yellow, red, and purple available for purchase. This color-coding system enhances the ability to differentiate between power feed settings and facilitates more efficient troubleshooting.

The PG series intelligent PDUs are ideally suited for enterprise server rooms, network closets, and data centers, providing an intelligent power distribution and management solution that meets the demands of high-density IT applications while optimizing overall costs.

**Note:**

1. PG5308A / PG6308A / PG8308A contains 8 x NEMA 5-20R socket configurations
2. PG5308B / PG5308G / PG6308B / PG6308G / PG8308B / PG8308G contains 6 x IEC60320 C13 and 2 x IEC60320 C19 socket configurations
3. PG8208G contains 7 x IEC60320 C13 and 1 x IEC60320 C19 socket configurations

PG5308A Front View



PG5308B Front View



PG5308G Front View



PG6308A Front View



PG6308B Front View



PG6308G Front View



PG8308A Front View



PG8308B Front View



PG8308G Front View



PG8208G Front View



PG53/PG63/PG83 Rear View



PG8208 Rear View



LCD console panel sticker available in 5 colors



## Features

### Connections

- Supports 1 Gbps Ethernet Interface
- Remote Management Protocols — TCP/IP, UDP, HTTP, HTTPS, SSL, DHCP, SMTP (TLS 1.2), ARP, NTP, DNS, Auto Sense, Ping, SNMP V1, V2, and V3, Telnet, Modbus (over TCP/IP), Wi-Fi, and IPv6
- Scripting — JSON-RPC (Remote Procedure Call) protocol and Python scripting to control specified PDU units
- Security — 2-level account/password login access, and IP/MAC filter, 128 bit SSL
- Authentication — RADIUS, LDAP, TACACS
- Supports eco DC and multiple browsers (IE, Firefox, Chrome, and Safari)
- Supports RS-232 and RS-485 communication ports.
- Auto Ping & Reboot
- Environment sensor port enables RJ-45 connectivity to connect or daisy-chain up to 8 ATEN EA1640 environment sensors for monitoring and management of temperature, humidity, airflow, differential air pressure, and leaks, featuring alerts for potential threats (sold separately)
- Rotatable LCD Screen — capable of 180-degree rotation, delivering flexible in-rack installation

### Metering

- Secure locking enhancement prevents power cords from becoming unplugged due to vibration or human error
- Metering and monitoring of power at the PDU and outlet levels
- Measuring and establishing threshold levels for current, voltage, power, power dissipation, temperature, and humidity
- Precise kWh metering (+/-1% ) for better power consumption habits, baselines, and initiative tracking
- Real-time LCD alert sends warnings to alert users of unusual power state

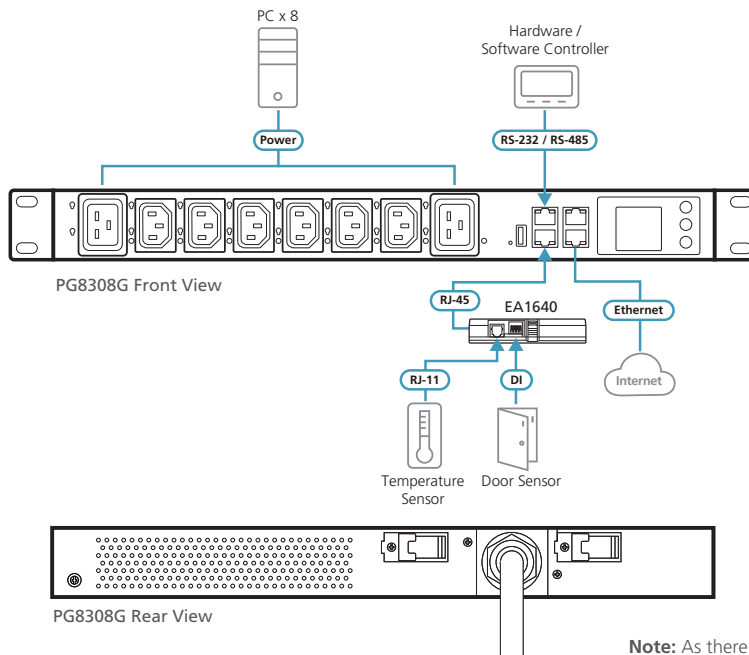
### Network

- Dual Ethernet ports support cascading up to 64 PDUs
- Daisy chaining functions support SNMP & Modbus protocols and TC / IP protocols (web page)
- PON port can be connected to the KN series (up to 16 KN devices) and be secondary\*
- Supports ATEN's eco DC (Energy & DCIM Management Web GUI) for monitoring power distribution, energy, and environmental data from PDUs and connected devices

### Outlet Switch Control

- Remote power outlet control (On/Off, Power Cycle) by individual outlets and outlet groups
- Outlet group support at the PDU level
- Supports multiple power control methods — Wake on LAN, System After AC Back, Kill the Power
- Power-On/Off sequencing — users can set the power-on sequence and delay time for each outlet to allow equipment to be powered on in the correct order
- Proactive overload protection (POP) — automatically powers off the last outlet, causing the current overload, while allowing users to set shutdown priority
- Schedule Control
- When the temperature or humidity sensor value reaches the predetermined threshold, the PDU can turn on, off, or reboot a particular outlet
- Energy-efficient relays allow operators to control large amounts of current flow for lower energy consumption

**Note:** To be included in a future firmware release.



**Note:** As there are many PG PDUs, PG8308G is the example used here.

## Specifications

	PG5308A	PG5308B	PG5308G
<b>Electrical</b>			
Nominal Input Voltage	100 – 120 VAC	100 – 240 VAC	100 – 240 VAC
Maximum Input Current	30A Max ,24A(UL)	30A Max ,24A(UL)	32A Max
Input Frequency	50-60 Hz		
Input Connection	NEMA L5-30P	NEMA L6-30P	IEC 60309 32A
Input Power	3600VA (Max), 2880VA (UL)	7200VA (Max), 5760VA (UL)	7680VA (Max)
Outlet Type	(8) NEMA 5-20R	(6) IEC60320 C 13+(2) IEC60320 C 19	(6) IEC60320 C 13+(2) IEC60320 C 19
Nominal Output Voltage	100 – 120 VAC	100 – 240 VAC	100 – 240 VAC
Maximum Output Current (Outlet)	20A (Max), 16A (UL)	C 13:12A (UL) C 19:16A (UL)	C 13:10A (Max) C 19:16A (Max)
Breakers	UL489x2		
Metering	Bank level Current, Voltage , PF and KWh Monitoring		
Outlet Switching	No		
Environment Sensor Ports	1xRJ-45		
USB 2.0 Type-A Port	Yes		
Ethernet Port	10/100/1000M		
PON + COM Port	1 x RJ-45		
Metering Accuracy	1%		
<b>Physical Properties</b>			
Dimensions (L x W x H)	43.24 x 21.00 x 4.40 cm		
Weight	4.27 kg	4.57 kg	3.99 kg
Power Cord Length	3M (SR+NEMA L5-30P)	3M (SR+NEMA L6-30P)	3M (SR+IEC60309 32A)
<b>Environmental</b>			
Temperature (Operating / Storage)	0 – 60 °C / -20 – 60 °C		
Humidity (Operating & Storage)	0 – 80% RH, Non-Condensing		
<b>Compliance</b>			
EMC Verification	FCC	FCC	CE
Safety Verification	UL,PSE	UL,PSE	CE,UKCA

	PG6308A	PG6308B	PG6308G
<b>Electrical</b>			
Nominal Input Voltage	100 – 120 VAC	100 – 240 VAC	100 – 240 VAC
Maximum Input Current	30A Max ,24A (UL)	30A Max ,24A (UL)	32A Max
Input Frequency	50 – 60 Hz		
Input Connection	NEMA L5-30P	NEMA L6-30P	IEC 60309 32A
Input Power	3600VA (Max),2880VA (UL)	7200VA (Max), 5760VA (UL)	7680VA(Max)
Outlet Type	(8) NEMA 5-20R	(6) IEC60320 C13+(2) IEC60320 C19	(6) IEC60320 C13+(2) IEC60320 C19
Nominal Output Voltage	100 – 120 VAC	100 – 240 VAC	100 – 240 VAC
Maximum Output Current (Outlet)	20A Max),16A (UL)	C13:12A (UL) C19:16A (UL)	C13:10A (Max) C19:16A (Max)
Breakers	UL489x2		
Metering	Bank level Current, Voltage , PF and KWh Monitoring		
Outlet Switching	Yes		
Environment Sensor Ports	1 x RJ-45		
USB 2.0 Type-A Port	Yes		
Ethernet Port	10/100/1000M		
PON + COM Port	1 x RJ-45		
Metering Accuracy	1%		
<b>Physical Properties</b>			
Dimensions (L x W x H)	43.24 x 21.00 x 4.40 cm		
Weight	4.37 kg	4.68 kg	4.09 kg
Power Cord Length	3M (SR+NEMA L5-30P)	3M (SR+NEMA L6-30P)	3M (SR+IEC60309 32A)
<b>Environmental</b>			
Temperature (Operating / Storage)	0 – 60 °C / -20 – 60 °C		
Humidity (Operating & Storage)	0 – 80% RH, Non-Condensing		
<b>Compliance</b>			
EMC Verification	FCC	FCC	CE
Safety Verification	UL,PSE	UL,PSE	CE,UKCA

	PG8308A	PG8308B	PG8308G
<b>Electrical</b>			
Nominal Input Voltage	100 – 120 VAC	100 – 240 VAC	
Maximum Input Current	30A Max, 24A (UL)	30A Max ,24A (UL)	32A Max
Input Frequency	50 – 60 Hz		
Input Connection	NEMA L5-30P	NEMA L6-30P	IEC 60309 32A
Input Power	3600VA (Max), 2880VA (UL)	7200VA (Max), 5760VA (UL)	7680VA (Max)
Outlet Type	(8) NEMA 5-20R	(6) IEC60320 C13+(2) IEC60320 C19	(6) IEC60320 C13+(2) IEC60320 C19
Nominal Output Voltage	100-120 VAC	100 – 240 VAC	100 – 240 VAC
Maximum Output Current (Outlet)	20A (Max), 16A (UL)	C13:15A (Max),12A (UL) C19:20A (Max),16A (UL)	C13:10A (Max) C19:16A (Max)
Breakers	UL489x2		
Metering	Per Outlet level Current, Voltage , PF and KWh Monitoring		
Outlet Switching	Yes		
Environment Sensor Ports	1xRJ-45		
Metering Accuracy	1%		
<b>Physical Properties</b>			
Dimensions (L x W x H)	43.24 x 21.00 x 4.40 cm		
Weight	4.35 kg	4.65 kg	4.65 kg
Power Cord Length	3M (SR+NEMA L5-30P)	3M (SR+NEMA L6-30P)	3M (SR+IEC60309 32A)
<b>Environmental</b>			
Temperature (Operating / Storage)	0 – 60 °C / -20 – 60 °C		
Humidity (Operating & Storage)	0 – 80% RH, Non-Condensing		
<b>Compliance</b>			
EMC Verification	FCC	FCC	CE
Safety Verification	UL, PSE	UL,PSE	CE,UKCA

PG8208G	
<b>Electrical</b>	
Nominal Input Voltage	100 – 240 VAC
Maximum Input Current	16A Max
Input Frequency	50 – 60 Hz
Input Connection	IEC 60320 C20
Input Power	3840VA (Max)
Outlet Type	(7) IEC60320 C13+ (1) IEC60320 C19
Nominal Output Voltage	100 – 240 VAC
Maximum Output Current (Outlet)	C13:10A (Max) C19:16A (Max)
Breakers	N/A
Metering	Per Outlet level Current, Voltage , PF and KWh Monitoring
Outlet Switching	Yes
Environment Sensor Ports	1xRJ-45
USB 2.0 Type-A Port	Yes
Ethernet Port	10/100/1000M
PON + COM Port	1xRJ-45
Metering Accuracy	1%
<b>Physical Properties</b>	
Dimensions (L x W x H)	43.24 x 22.04 x 4.40 cm
Weight	2.7 kg
Power Cord Length	3M (C19+C20)
<b>Environmental</b>	
Temperature (Operating / Storage)	0 – 60 °C / -20 – 60 °C
Humidity (Operating & Storage)	0 – 80% RH, Non-Condensing
<b>Compliance</b>	
EMC Verification	CE
Safety Verification	CE, UKCA, UL, PSE

:

**ATEN International Co., Ltd.**

3F., No.125, Sec. 2, Datung Rd., Sijhih District., New Taipei City 221, Taiwan  
 Phone: 886-2-8692-6789 Fax: 886-2-8692-6767  
 www.aten.com E-mail: marketing@aten.com

Product information is subject to change without prior notice.

**Released: 05/2025 V4.0**

© Copyright 2025 ATEN® International Co. Ltd.  
 ATEN and the ATEN logo are registered trademarks of ATEN International Co., Ltd.  
 All rights reserved. All other trademarks are the property of their respective owners.

