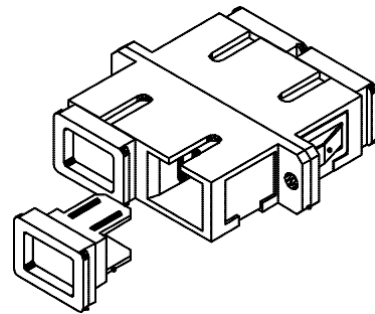
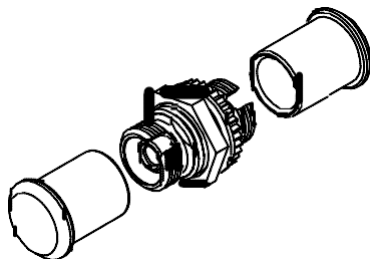


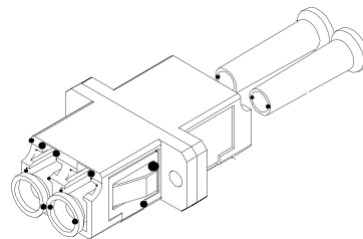
ST ADAPTER



SC ADAPTER



FC ADAPTER



LC ADAPTER

DESCRIPTION

LINK fiber optic adapters are available in ST, SC, FC and LC adapters have high precision alignment sleeves for reliability and better reconnectability. LINK adapters come with a ceramic sleeve for the singlemode and phosphor bronze sleeve for the multimode. Used to mate two connectors together and usually mounted in a FDU panel or adapter plate.

FEATURES AND BENEFITS

- High precision zirconia ceramic alignment sleeves.
- Low insertion loss.
- Good in repeatability and re-connectability.
- Included dust cap.
- Adapter type female to female.
- Meets standard ANSI/TIA-568-C.3
ANSI/EIA/TIA-568-C.3 and ISO/IEC
11801:2002
- RoHS Compliant

APPLICATIONS

- Premises installation.
- Data center
- Telecommunication network
- Ethernet, LAN
- Fiber Optic Distribution Panel

SPECIFICATION

ST ADAPTER SNAP PLATE

	MULTIMODE	SINGLEMODE
Housing	Nickel Plated Brass Metallic Color	Nickel Plated Brass Metallic Color
Alignment Sleeve	Phosphor Bronze	Zirconia, ceramic
Dust Cap	PVC Black Color	PVC Yellow Color

SC ADAPTER SNAP PLATE

	MULTIMODE	SINGLEMODE
Housing	PBT, UL94V-0 Ivory Color	PBT, UL94V-0 Blue Color (Green Color,APC)
Alignment Sleeve	Phosphor Bronze	Zirconia, ceramic
Dust Cap	PP Black Color	PP Black Color

FC ADAPTER SNAP PLATE

	MULTIMODE	SINGLEMODE
Housing	Nickel Plated Brass Metallic Color	Nickel Plated Brass Metallic Color
Alignment Sleeve	Phosphor Bronze	Zirconia, ceramic
Dust Cap	PVC Black Color	PVC Yellow Color (Green Color,APC)

LC ADAPTER SNAP PLATE

	MULTIMODE	SINGLEMODE
Housing	Polycarbonate, UL94V-0 Ivory Color	Polycarbonate, UL94V-0 Blue Color (Green Color,APC)
Alignment Sleeve	Phosphor Bronze	Zirconia, ceramic
Dust Cap	PVC White Color	PVC White Color

PERFORMANCE

	MULTIMODE	SINGLEMODE
Insertion Loss		
Typical	≤ 0.20 dB	≤ 0.20 dB
Maximum	≤ 0.30 dB	≤ 0.30 dB
Durability	500 cycles	500 cycles
Operating Temperature	-40°C to 85°C	-40°C to 85°C
Storage Temperature	-40°C to 85°C	-40°C to 85°C

FIBER OPTIC ADAPTER

ORDER INFORMATION

Part Number	Description	Type	Dust Cap Color	Housing Color
UF-0044	ST SIMPLEX ADAPTER	MULTIMODE	Black	Metallic
UF-0044SM	ST SIMPLEX ADAPTER	SINGLEMODE	Yellow	Metallic
UF-0055SM	SC SIMPLEX ADAPTER	SINGLEMODE	Black	Blue
UF-0066	SC DUPLEX ADAPTER	MULTIMODE	Black	Ivory
UF-0066SM	SC DUPLEX ADAPTER	SINGLEMODE	Black	Blue
UF-0088	FC SIMPLEX ADAPTER	MULTIMODE	Black	Metallic
UF-0088SM	FC SIMPLEX ADAPTER	SINGLEMODE	Yellow	Metallic
UF-0022	LC DUPLEX ADAPTER	MULTIMODE	White	Ivory
UF-0022SM	LC DUPLEX ADAPTER	SINGLEMODE	White	Blue

* APC type available on request.