

## DS-2CE19D3T-(A)IT3ZF 2 MP EXIR Bullet Camera



### Key Feature

- 2 MP high-performance CMOS
- Ultra low light
- 1920 × 1080 resolution
- 2.7 mm to 13.5 mm motorized varifocal lens, auto focus
- EXIR 2.0, smart IR, up to 70 m IR distance
- OSD menu, 3D DNR, 120 dB true WDR, day/night switch
- 4 in 1 video output (switchable TVI/AHD/CVI/CVBS)
- IP67
- Up the coax (HIKVISION-C)



## Specification

<b>Camera</b>	
Image Sensor	2.0 megapixel progressive scan CMOS
Signal System	PAL/NTSC
Video Frame Rate	PAL: 1080p@25fps NTSC: 1080p@30fps
Resolution	1920 (H) ×1080 (V)
Min. Illumination	0.005 Lux@(F1.2, AGC ON), 0 Lux with IR
Shutter Time	PAL: 1/25 s to 1/50, 000 s NTSC: 1/30 s to 1/50, 000 s
Slow Shutter	Max. 16 times
Lens	2.7 mm to 13.5 mm
Horizontal Field of View	102° to 31°
Lens Mount	Φ 14
Day & Night	IR cut filter
Angle Adjustment	Pan: 0° to 360°, Tilt: 0° to 90°, Rotation: 0° to 360°
Synchronization	Internal synchronization
WDR (Wide Dynamic Range)	≥ 120 dB
<b>Menu</b>	
AGC	High/Medium/Low
D/N Mode	Auto/Color/BW (Black and White)
Image Mode	STD/HIGH-SAT
HLC (Highlight Compensation)	Yes
BLC (Backlight Compensation)	Yes
WDR	Yes
3D DNR	Level 1 to 9
Language	English
Functions	Brightness, Sharpness, 3D DNR, Mirror, Smart IR
<b>Interface</b>	
Video Output	1 HD analog output
Switch Button	TVI/AHD/CVI/CVBS
<b>General</b>	
Operating Conditions	-40 °C to 60 °C (-40 °F to 140 °F), Humidity: 90% or less (non-condensation)
Power Supply	12 VDC ±25% -A: 24 VAC ±15%, 12 VDC ±20% <i>*You are recommended to use one power adapter to supply the power for one camera.</i>
Power Consumption	Max. 7.7 W -A: Max. 9.7 W
Protection Level	IP67
Material	Front cover: Metal Main body: Plastic Bracket: Metal
IR Range	Up to 70 m
Dimensions	84.5 mm × 92 mm × 255.1 mm (3.33" × 3.62" × 10")

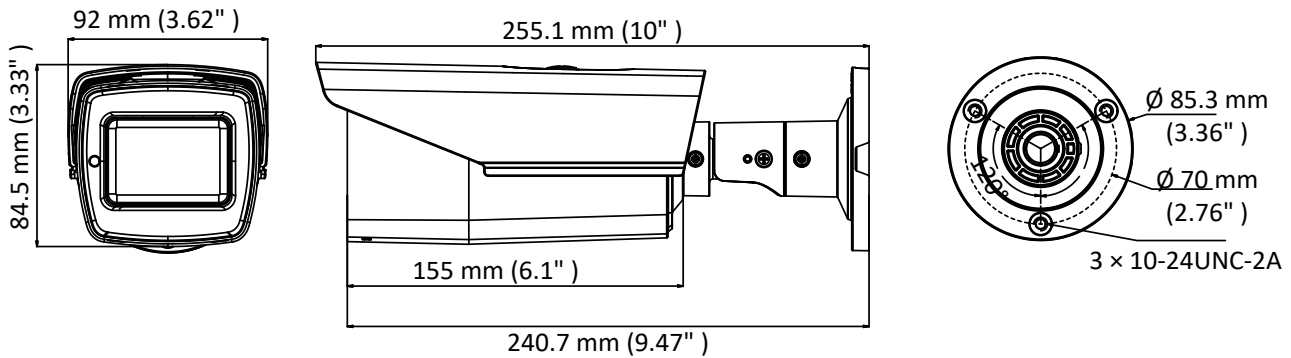
Weight

Approx. 648 g (1.43 lb.)  
-A: Approx. 695 g (1.53 lb.)

## Order Model

DS-2CE19D3T-IT3ZF, DS-2CE19D3T-AIT3ZF

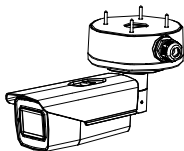
## Dimension



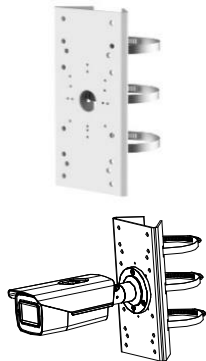
## Accessory



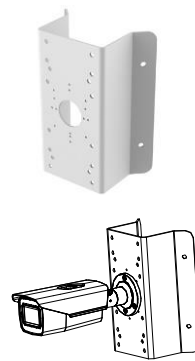
Distribute



DS-1280ZJ-S  
Junction Box



DS-1275ZJ-SUS  
Vertical Pole Mount



DS-1276ZJ-SUS  
Corner Mount

# HIKVISION®

### Headquarters

No.555 Qianmo Road, Binjiang District,  
Hangzhou 310051, China  
T +86-571-8807-5998  
overseasbusiness@hikvision.com

Hikvision USA  
T +1-909-895-0400  
sales.usa@hikvision.com

Hikvision Australia  
T +61-2-8599-4233  
salesau@hikvision.com

Hikvision India  
T +91-22-28469900  
sales@pramahikvision.com

Hikvision Canada  
T +1-866-200-6690  
sales.canada@hikvision.com

Hikvision Thailand  
T +662-275-9949  
sales.thailand@hikvision.com

Hikvision Europe  
T +31-23-5542770  
sales.eu@hikvision.com

Hikvision Italy  
T +39-0438-6902  
info.it@hikvision.com

Hikvision Brazil  
T +55 11 3318-0050  
Latam.support@hikvision.com

Hikvision Turkey  
T +90 (216)521 7070- 7074  
sales.tr@hikvision.com

Hikvision Malaysia  
T +601-7652-2413  
sales.my@hikvision.com

Hikvision UK & Ireland  
T +01628-902140  
sales.uk@hikvision.com

Hikvision South Africa  
Tel: +27 (10) 0351172  
sale.africa@hikvision.com

Hikvision France  
T +33(0)1-85-330-450  
info.fr@hikvision.com

Hikvision Kazakhstan  
T +7-727-9730667  
nikia.panfilov@hikvision.ru

Hikvision Vietnam  
T +84-974270888  
sales.vt@hikvision.com

Hikvision UAE  
T +971-4-4432090  
salesme@hikvision.com

Hikvision Singapore  
T +65-6684-4718  
sg@hikvision.com

Hikvision Spain  
T +34-91-737-16-55  
info.es@hikvision.com

Hikvision Tashkent  
T +99-87-1238-9438  
uzb@hikvision.ru

Hikvision Hong Kong  
T +852-2151-1761  
info.hk@hikvision.com

Hikvision Russia  
T +7-495-669-67-99  
saleru@hikvision.com

Hikvision Korea  
T +82-(0)31-731-8817  
sales.korea@hikvision.com

Hikvision Poland  
T +48-22-460-01-50  
info.pl@hikvision.com

Hikvision Indonesia  
T +62-21-2933759  
Sales.Indonesia@hikvision.com

Hikvision Colombia  
sales.colombia@hikvision.com