

DS-7600NI-K2/P SERIES NVR



Features and Functions

Professional and Reliable

- Dual-OS design to ensure high reliability of system running
- ANR technology to enhance the storage reliability when the network is disconnected

HD Input

- H.265/H.265+/H.264/H.264+/MPEG4 video formats
- Connectable to the third-party network cameras
- Up to 32 IP cameras can be connected
- Recording at up to 8 MP resolution
- Supports live view, storage, and playback of the connected camera at up to 8 MP resolution

HD Output

- HDMI and VGA independent outputs provided
- HDMI Video output at up to 4K (3840 × 2160) resolution

HD Storage

- Up to 2 SATA interfaces connectable for recording and backup
- Storage space effectively saved by 50% to 70% with the use of H.264+ decoding format

HD Transmission

- 1 self-adaptive 10M/100M/1000 Mbps network interface
- 8/16 independent PoE network interfaces are provided

Various Applications

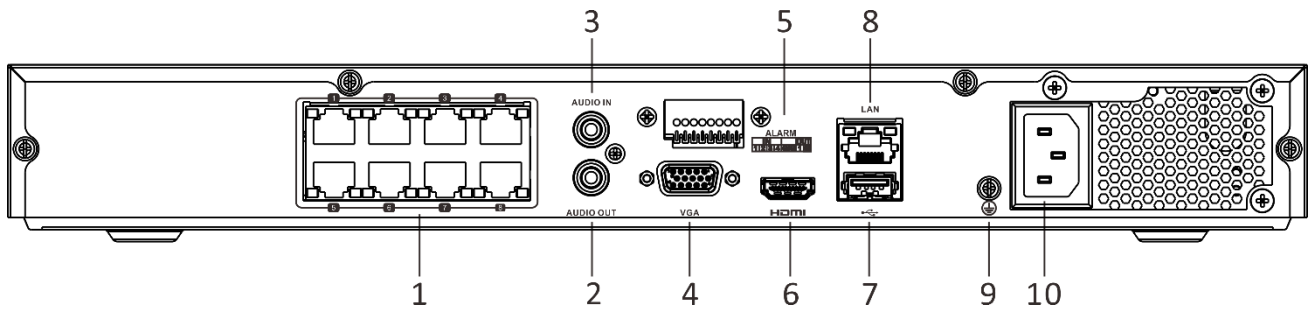
- Adopt stream over TLS encryption technology (enhanced SDK service and RTP over HTTPS protocol) which provides more secure stream transmission service (max. 128 Mbps TLS stream outgoing bandwidth)
- Centralized management of IP cameras, including configuration, information import/export, real-time information display, two-way audio, upgrade, etc.
- Connectable to smart IP cameras from Hikvision and the recording, playing back, and backing up of VCA alarms can be realized
- VCA detection alarm is supported
- Instant playback for assigned channel during multi-channel display mode
- Smart search for the selected area in the video; and smart playback to improve the playback efficiency
- Supports HDD quota and group modes; different capacity can be assigned to different channels
- Hik-Connect for easy network management



Specifications

Model		DS-7608NI-K2/8P	DS-7616NI-K2/16P	DS-7632NI-K2/16P
Video/ Audio input	IP video input	8-ch	16-ch	32-ch
	Incoming bandwidth	80 Mbps	160 Mbps	256 Mbps
	Outgoing bandwidth	160 Mbps		
Video/ Audio output	HDMI output resolution	4K (3840 × 2160)/30Hz, 2K (2560 × 1440)/60Hz, 1920 × 1080/60Hz, 1600 × 1200/60Hz, 1280 × 1024/60Hz, 1280 × 720/60Hz, 1024 × 768/60Hz		
	VGA output resolution	1920 × 1080/60Hz, 1280 × 1024/60Hz, 1280 × 720/60Hz, 1024 × 768/60Hz		
	Audio output	1-ch, RCA (Linear, 1 KΩ)		
Decoding	Decoding format	H.265/H.265+/H.264/H.264+/MPEG4		
	Recording resolution	8MP/6MP/5MP/4MP/3MP/1080p/UXGA/720p/VGA/4CIF/DCIF/2CIF/CIF/QCIF		
	Synchronous playback	8-ch	16-ch	16-ch
	Capability	2-ch @ 8 MP (25fps) / 4-ch @ 4MP (30fps) / 8-ch @ 1080p (30fps)		
Network management	Network protocols	TCP/IP, DHCP, IPv4, IPv6, DNS, DDNS, NTP, RTSP, SADP, SMTP, SNMP, NFS, iSCSI, ISUP, UPnP™, HTTP, HTTPS, ONVIF		
Hard disk	SATA	2 SATA interfaces		
	Capacity	Up to 6 TB capacity for each HDD		
External interface	Two-way audio	1-ch, RCA (2.0 Vp-p, 1kΩ)		
	Network interface	1 RJ-45 10/100/1000 Mbps self-adaptive Ethernet interface		
	USB interface	Front panel: 1 × USB 2.0; Rear panel: 1 × USB 3.0		
	Alarm in/out	4/1		
POE interface	Interface	8, RJ-45 10/100 Mbps self-adaptive Ethernet interface	16, RJ-45 10/100 Mbps self-adaptive Ethernet interface	
	Power	≤ 120 W	≤ 200 W	
	Supported standard	IEEE 802.3 af/at		
General	Power supply	100 to 240 VAC, 50 to 60Hz, 1 A		
	Consumption (without hard disk)	≤ 15 W (without enabling PoE)		
	Working temperature	-10 °C to 55 °C (14 °F to 131 °F)		
	Working humidity	10 to 90 %		
	Dimensions (W × D × H)	385 × 315 × 52 mm (15.2" × 12.4" × 2.0")		
	Weight (without hard disk)	≤ 3 kg (6.6 lb)		

Physical Interfaces



NOTE

The DS-7616NI-K2/16P and DS-7632NI-K2/16P provide 16 network interfaces with PoE function.

Index	Description	Index	Description
1	Network Interfaces with PoE function	6	HDMI Interface
2	AUDIO OUT	7	USB 3.0 Interface
3	AUDIO IN	8	LAN Network Interface
4	VGA Interface	9	GND
5	Alarm In/Alarm Out	10	100 to 240 VAC power supply

Available Models

DS-7608NI-K2/8P, DS-7616NI-K2/16P, DS-7632NI-K2/16P

Distributed by



HIKVISION®

Headquarters

No.555 Qianmo Road, Binjiang District,
Hangzhou 310051, China
T +86-571-8807-5998
overseasbusiness@hikvision.com

Hikvision USA
T +1-909-895-0400
sales.usa@hikvision.com

Hikvision Italy
T +39-0438-6902
info.it@hikvision.com

Hikvision Singapore
T +65-6684-4718
sg@hikvision.com

Hikvision Africa
T +27 (10) 0351172
sale.africa@hikvision.com

Hikvision Europe
T +31-23-55-42-770
info.eu@hikvision.com

Hikvision France
T +33(0)1-85-330-450
info.fr@hikvision.com

Hikvision Oceania
T +61-2-8599-4233
salesau@hikvision.com

Hikvision Hong Kong
T +852-2151-1761

Hikvision Middle East
T +971-4-8816086
salesme@hikvision.com

Hikvision Spain
T +34-91-737-16-55
info.es@hikvision.com

Hikvision Canada
T +1-909-895-0400
sales.usa@hikvision.com

Hikvision Russia
T +7-495-669-67-99
saleru@hikvision.com

Hikvision Poland
T +48-22-460-01-50
poland@hikvision.com

Hikvision Korea
T +82-31-731-8841
sales.korea@hikvision.com

Hikvision India
T +91-22-28469900
sales@pramahikvision.com

Hikvision UK
T +01628-902140
support.uk@hikvision.com

Hikvision Brazil
T +55 11 3318-0050
Latam.support@hikvision.com